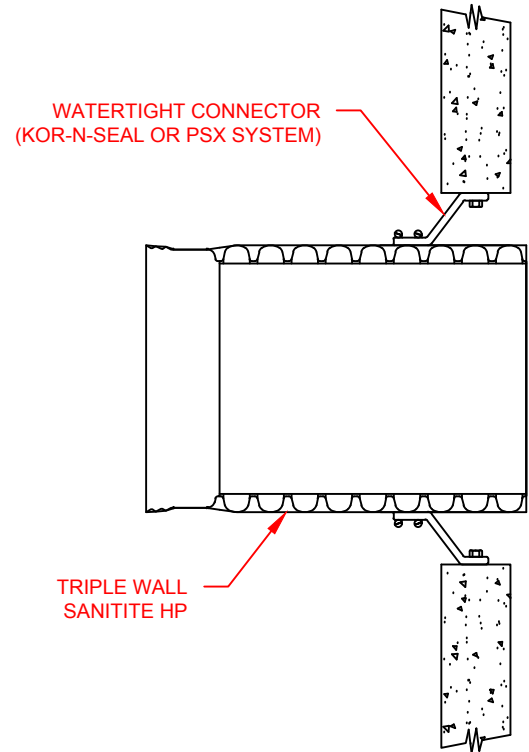


30" - 60" (700 mm - 1500 mm) TRIPLE WALL SANITITE® HP WATERTIGHT CONNECTION USING A MANHOLE BOOT (CORED HOLE OR PRE-CAST)



NOTES:
 PERFORMANCE HIGHLY DEPENDENT ON INSTALLATION. CONTRACTOR MUST ENSURE MANHOLE GASKET IS UNIFORMLY SEATED AROUND STRUCTURE ADAPTER. EXTRA PRECAUTIONS MUST BE TAKEN TO PREVENT DIFFERENTIAL SETTLEMENT BETWEEN THE PIPE AND MANHOLE.

SEE STANDARD DETAIL STD-201 AND TECHNICAL NOTE: 5.04 CONNECTIONS TO MANHOLES AND STRUCTURES FOR INSTALLATION RECOMMENDATIONS.


PIPE SIZE	PRESS SEAL® SYSTEMS *	KOR-N-SEAL® SERIES 306 *
30" (750mm)	40L	S306-38L-40
36" (900mm)	46L	S306-44L-46
42" (1050MM)	CONTACT ADS	CONTACT ADS
48" (1200MM)		
60" (1500mm)		

* THIRD PARTY - CODES AS SUPPLIED BY MANUFACTURER
 KOR-N-SEAL is a registered trademark of NPC, Inc. (www.npc.com)
 PSX:DIRECT DRIVE is registered trademarks of PRESS-SEAL GASKET CORPORATION. (www.press-seal.com)

© 2017 ADS, INC.

8	REMOVED O.D. DIMENSIONS	JLM	03/28/17	KAP
REV.	DESCRIPTION	BY	MM/DD/YY	CHK'D

ADVANCED DRAINAGE SYSTEMS, INC. ("ADS") HAS PREPARED THIS DETAIL BASED ON INFORMATION PROVIDED TO ADS. THIS DRAWING IS INTENDED TO DEPICT THE COMPONENTS AS REQUESTED. ADS HAS NOT PERFORMED ANY ENGINEERING OR DESIGN SERVICES FOR THIS PROJECT, NOR HAS ADS INDEPENDENTLY VERIFIED THE INFORMATION SUPPLIED. THE INSTALLATION DETAILS PROVIDED HEREIN ARE GENERAL RECOMMENDATIONS AND ARE NOT SPECIFIC FOR THIS PROJECT. THE DESIGN ENGINEER SHALL REVIEW THESE DETAILS PRIOR TO CONSTRUCTION. IT IS THE DESIGN ENGINEERS RESPONSIBILITY TO ENSURE THE DETAILS PROVIDED HEREIN MEETS OR EXCEEDS THE APPLICABLE NATIONAL, STATE, OR LOCAL REQUIREMENTS AND TO ENSURE THAT THE DETAILS PROVIDED HEREIN ARE ACCEPTABLE FOR THIS PROJECT.

30"-60" SANITITE HP MH BOOT	 4640 TRUEMAN BLVD HILLIARD, OHIO 43026 ADVANCED DRAINAGE SYSTEMS, INC.	DRAWN BY: JAB
		DATE: 4/3/09
DRAWING NUMBER: STD-205E		SCALE: NTS
		SHEET: 1 OF 1