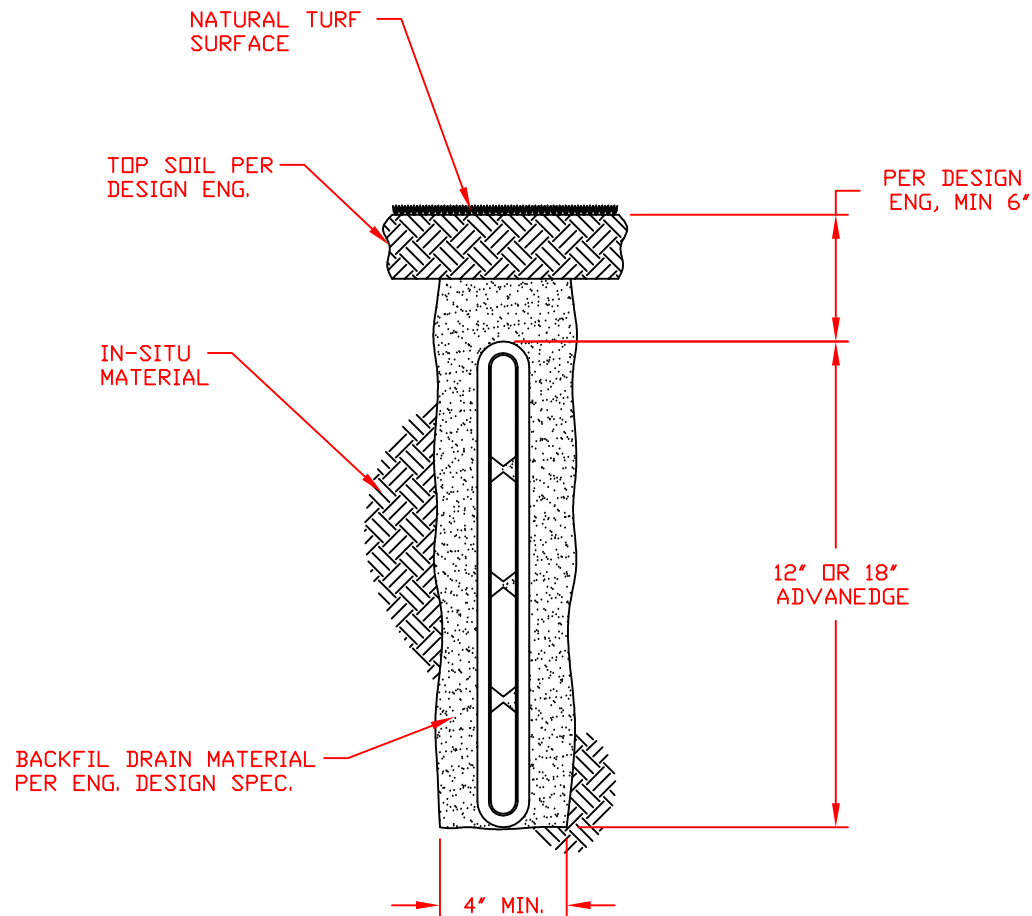


NATURAL TURF ATHLETIC FIELD VERTICAL TRENCH INSTALLATION



NOTES:

1. PIPE INSTALLATION DEPTH, SPACING, SLOPE AND BACKFILL MATERIAL SHALL BE DETERMINED AND SPECIFIED BY DESIGN ENGINEER.
2. THE USE OF FABRIC AROUND ADVANEDGE OR IN THE TRENCH SHALL BE DETERMINED BY DESIGN ENGINEER TAKING INTO ACCOUNT THE PARTICLE SIZE DISTRIBUTION OF THE BACKFILL AND INSITU MATERIAL.

©2016 ADS, INC.

1	FORMATTING UPDATES AND RENAMED	TJR	03/09/16	
REV.	DESCRIPTION	BY	MM/DD/YY	CHK'D

ADVANCED DRAINAGE SYSTEMS, INC. ("ADS") HAS PREPARED THIS DETAIL BASED ON INFORMATION PROVIDED TO ADS. THIS DRAWING IS INTENDED TO DEPICT THE COMPONENTS AS REQUESTED. ADS HAS NOT PERFORMED ANY ENGINEERING OR DESIGN SERVICES FOR THIS PROJECT, NOR HAS ADS INDEPENDENTLY VERIFIED THE INFORMATION SUPPLIED. THE INSTALLATION DETAILS PROVIDED HEREIN ARE GENERAL RECOMMENDATIONS AND ARE NOT SPECIFIC FOR THIS PROJECT. THE DESIGN ENGINEER SHALL REVIEW THESE DETAILS PRIOR TO CONSTRUCTION. IT IS THE DESIGN ENGINEERS RESPONSIBILITY TO ENSURE THE DETAILS PROVIDED HEREIN MEETS OR EXCEEDS THE APPLICABLE NATIONAL, STATE, OR LOCAL REQUIREMENTS AND TO ENSURE THAT THE DETAILS PROVIDED HEREIN ARE ACCEPTABLE FOR THIS PROJECT.

NATURAL TURF ATHLETIC FIELD
VERTICAL TRENCH INSTALLATION (ADVANEDGE)

DRAWING NUMBER: STD-1220



4640 TRUEMAN BLVD
HILLIARD, OHIO 43026

DRAWN BY:	AWM
DATE:	08.26.11
CHK'D BY:	
SCALE:	NTS
SHEET:	1 OF 1